

# BRADLEY CLASSIFIER COMPARISON

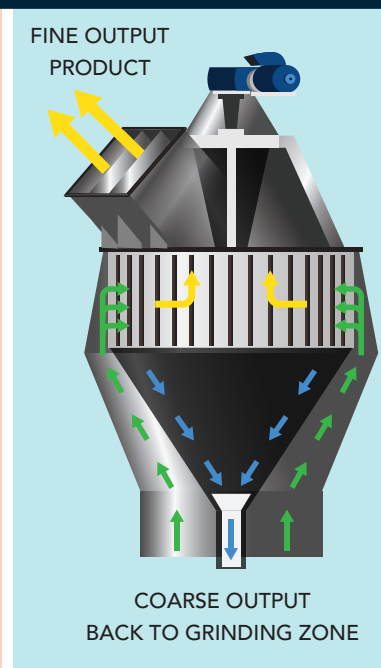
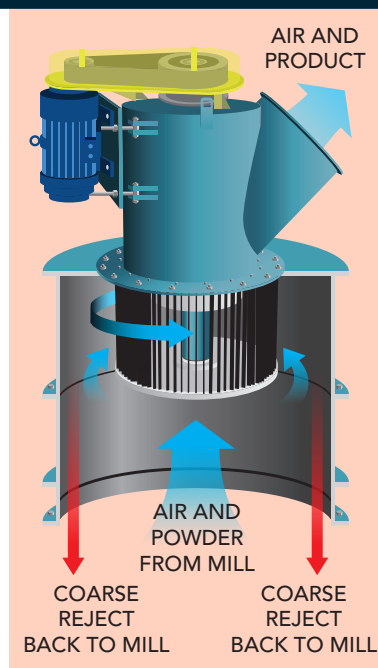
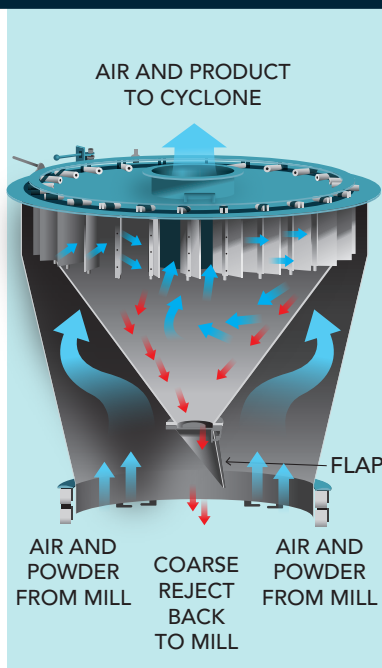
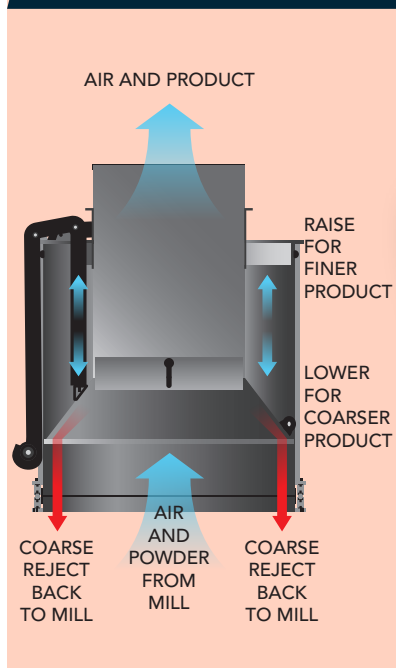


## INVERTED CONE

## DOUBLE CONE

## VBC

## BLVT



### TYPE

Static

Static

Dynamic

Dynamic

### GRIND CLASSIFICATION

Coarse

Semi-Fine/Fine

Fine

Fine

### PARTICLE SIZE

Particle sizes of 300 micron up to 1 mm with a 95% or better passing rate

Particle size of 50 to 300 micron

Particle size of 20 micron to 250 microns\*\*  
\*\* when installed on an airswept mill

Particle size down to 45 microns

### SIZE DETERMINATION

Adjustable height of the Inverted Cone inside the Separator determines the amount of residence ( spiral ) time.

Physically change the angle of the vanes

Alter separator rotor speed to adjust the size of fine particles

Specialty pocket guide vanes first reject oversized particles, then a separator rotor further rejects overly coarse particles. Size control by changing rotor speed.

## INVERTED CONE

## DOUBLE CONE

## VBC

## BLVT

### ADVANTAGES

Minimal pressure drop design delivers high production rates

Simple high wear resistant design

Works with sticky or abrasive materials

Durable design withstands harsh processing environments

Clean cuts with no air purge or complex labyrinths

No internal vanes or dampers

Blade change on-site with no rebalancing

Divorced design allows for production of multiple products from one system

2-Phase classification

Production of multiple products from grinding system

Reduced Wear on Mill Body and Components

Increased Production Capability or a Finer Grind Capability

System Power Consumption Reduction

### TYPICAL APPLICATIONS

Phosphoric acid processing

Ceramics

Oil / Fertilizer / Mining / Cement Industry

Oil / Fertilizer / Mining / Cement Industry

Desulfurization of Limestone power plants

Catalytic converters

Power Generation

Limestone Industry

Explosion prone materials, such as sulfur

Paint manufacture

Power Generation / Biomass

Marble quarrying and processing

Flyash separation & classification

Glass and ceramics

### COMPATIBLE WITH OTHER MILLS:

YES

YES

YES

YES

- any air-swept system
- pendulum mills
- ball mills
- table and roller mills
- air classifier systems

- any air-swept system
- pendulum mills
- ball mills
- table and roller mills
- air classifier systems

- any air-swept system
- pendulum mills
- ball mills
- table and roller mills
- air classifier systems

- installed or retrofitted on:
- any airswept mill
  - pendulum roller mills
  - vertical roller mills
  - ball mills

FOR OVER  
**130**  
YEARS

Airswept Mills | Screen Mills | Air Classifiers | Process Units  
Project & Design | Testing, Development & Consultancy



123 South Third Street | Allentown, PA 18102

[www.bradleypulverizer.com](http://www.bradleypulverizer.com)

610-434-5191

855-670-8777